



ACURA

**INSTALLATION
INSTRUCTIONS**

Accessory

SIDE UNDER SPOILER

Application

2005 RL

Publications No.

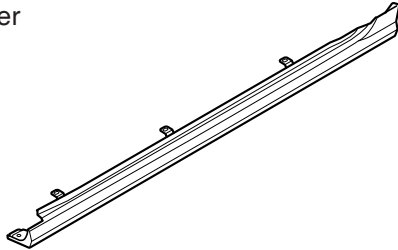
BII 27203

Issue Date

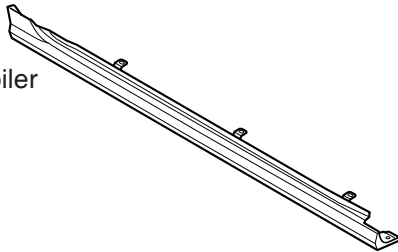
MAY 2005

PARTS LIST

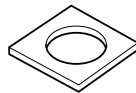
Left side under spoiler



Right side under spoiler



20 Seals



8 Washers



2 Guard tapes



TOOLS AND SUPPLIES REQUIRED

Phillips screwdriver

Flat-tip screwdriver

Stubby Phillips screwdriver

Isopropyl alcohol

Shop towel

Blanket

Scale

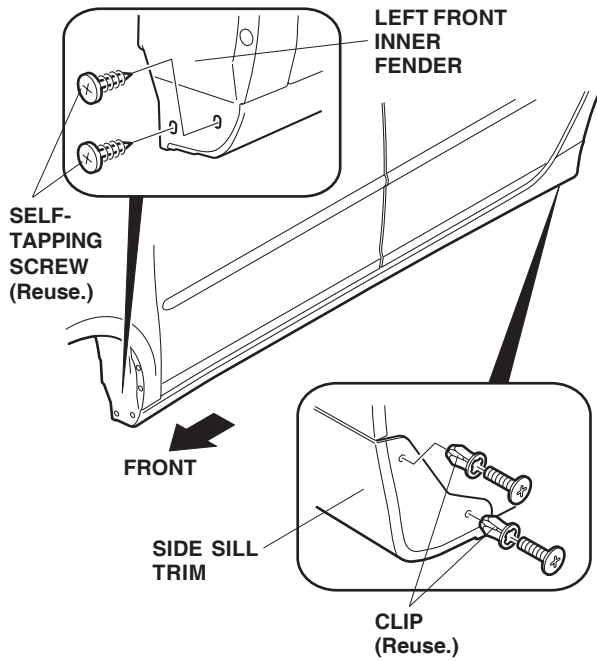
INSTALLATION

Customer Information: The information in this installation instruction is intended for use only by skilled technicians who have the proper tools, equipment, and training to correctly and safely add equipment to your vehicle. These procedures should not be attempted by "do-it-yourselfers."

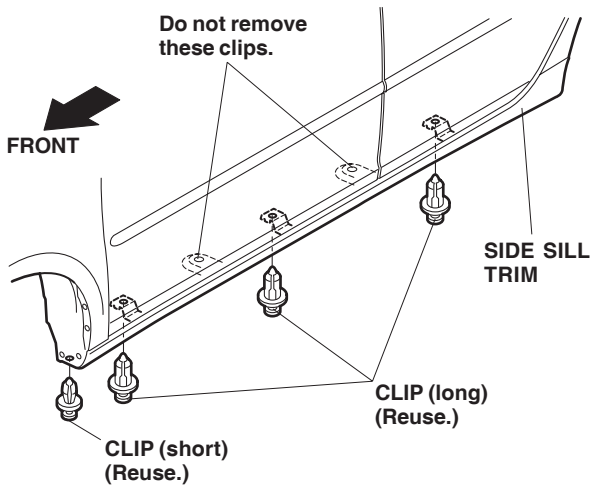
NOTE:

- These instructions show the left side under spoiler being installed. The same procedure applies to installing the right side under spoiler.
- Before installation, clean the bottom of the vehicle from the rear of the front wheel to the front of the rear wheel.
- Be careful not to damage the body paint finish.
- To prevent damage, place a blanket under the side under spoilers during installation.

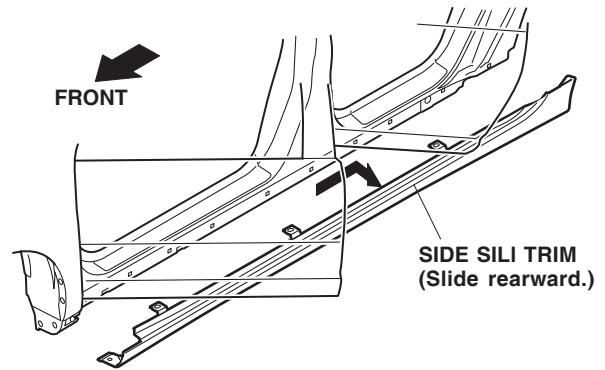
1. Remove the two self-tapping screws that fasten the left front inner fender to the side sill trim.



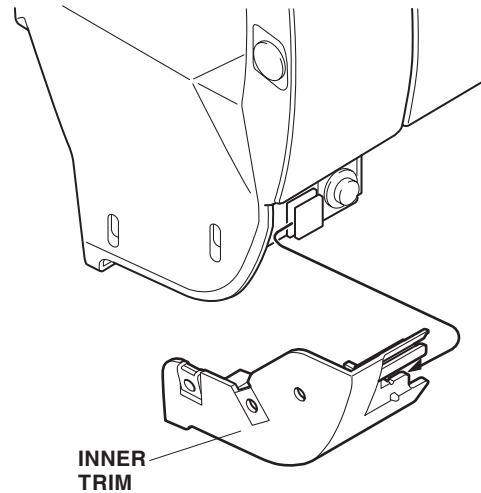
2. Remove the two clips that fasten the left rear inner fender to the side sill trim.
3. Remove the three clips (long) and one clip (short) from the underside of the side sill trim. Note the location of the clips.



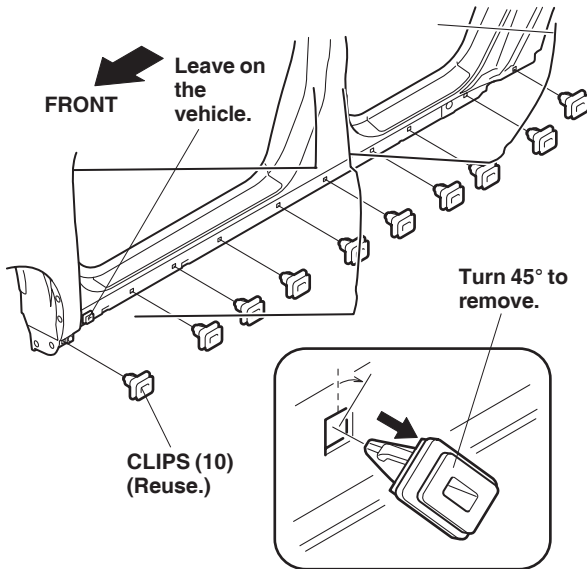
4. Open the front and rear doors. Slide the side sill trim rearward, then remove it by pulling it out toward you.



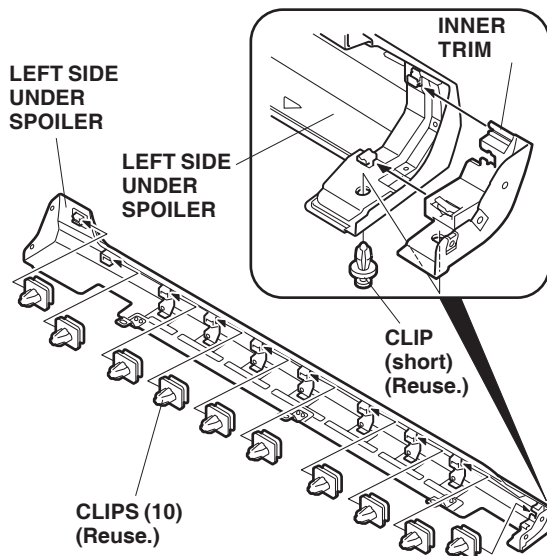
5. Slide the inner trim at the front side of the vehicle forward, and remove it.



- Leave the second clip from the foremost position on the vehicle, and remove the other 10 clips from the side sill by turning them 45 degrees.



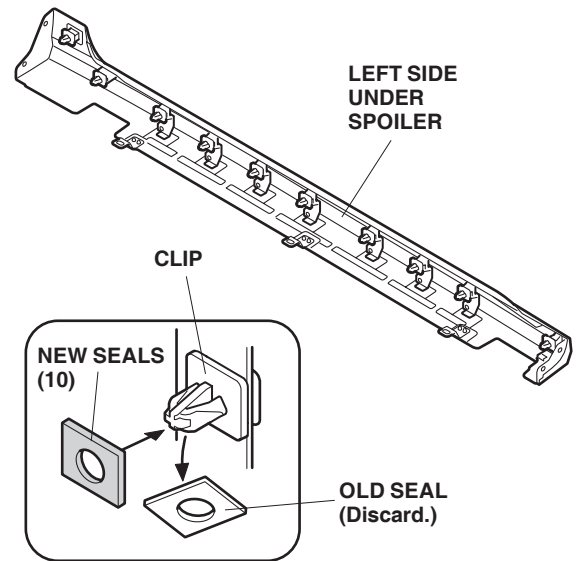
- Position the inner trim by sliding it onto the front side of the left side under spoiler and secure it with the clip (short).



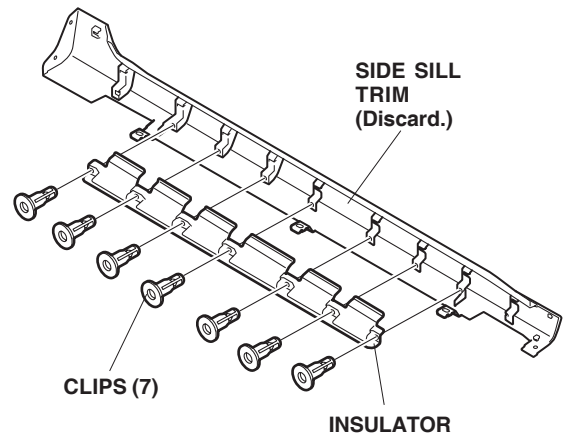
- Slide nine clips onto the side under spoiler through the cutout in each bracket, and slide one clip onto the inner trim.

- Remove the existing seals and install a new seal onto each of the 10 clips.

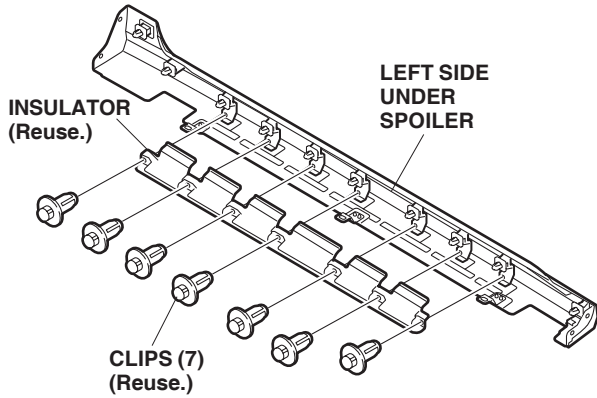
- Be sure to replace the existing seals with the new ones. Failure of replacing the seals can cause abnormal sound and/or loose installation.



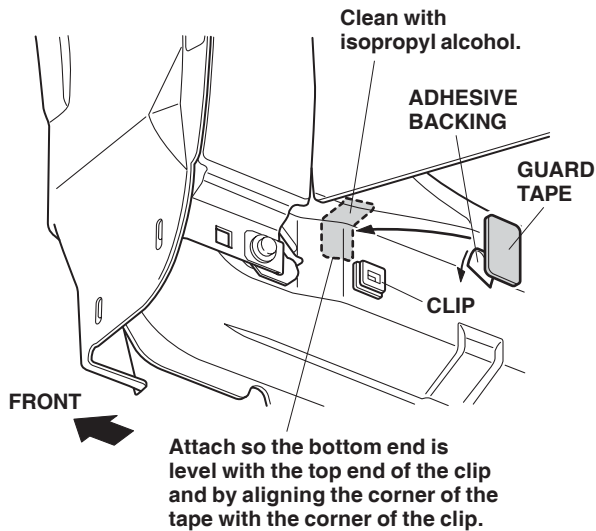
- Remove the insulator from the side sill trim (seven clips).



11. Install the insulator to the left side under spoiler with the seven clips.
 - Before installation, check the insulator for mud, gravel, etc. and remove them if they stuck to the insulator.

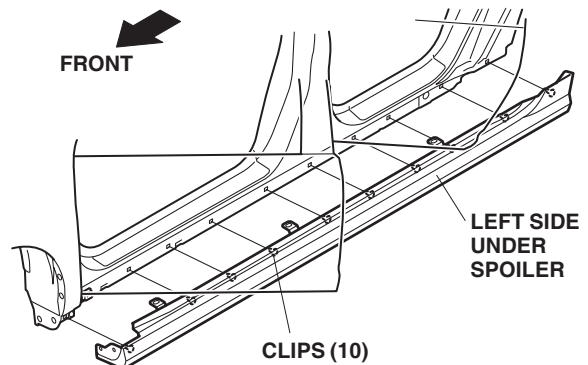


12. Using isopropyl alcohol on a shop towel, clean the front side of the vehicle where the guard tape will attach.

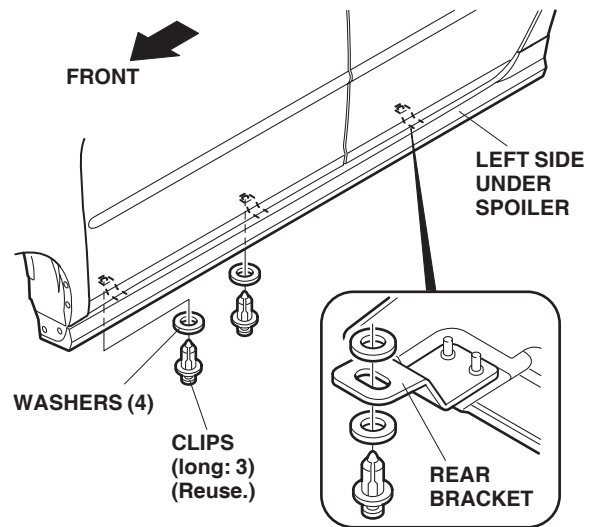


13. Remove the adhesive backing from the guard tape. Attach the guard tape to the vehicle so that the bottom end of the guard tape is level with the top end of the clip, remained on the vehicle, and by aligning the corner of the tape with the corner of the clip.

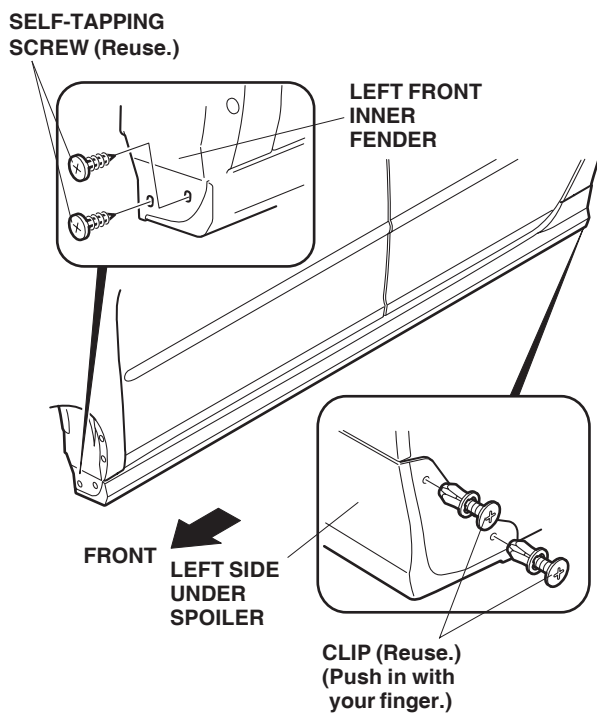
14. Position the left side under spoiler on the body, and push the clips into the square holes on the body. Use the palm of your hand to click all 10 clips into place.



15. Install the three clips (long) and four washers to secure the left side under spoiler.
 - Note that how to secure the rear bracket is different from the other two brackets mounted on the forward side of the left side under spoiler.



16. Reinstall the two self-tapping screws you removed in step 1.



17. Reinstall the two clips you removed in step 2 by pushing them in with your finger.